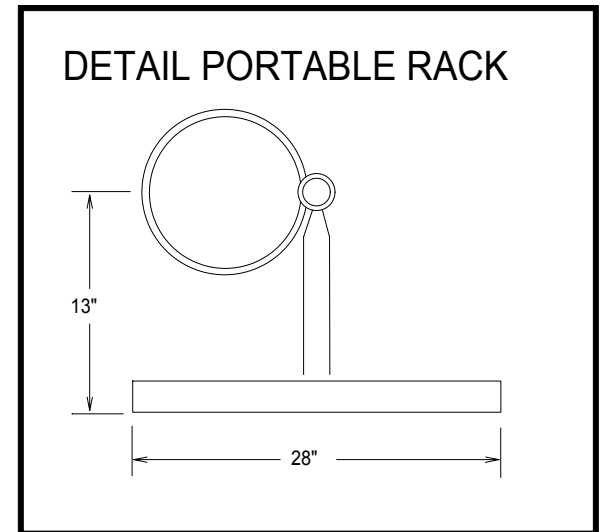
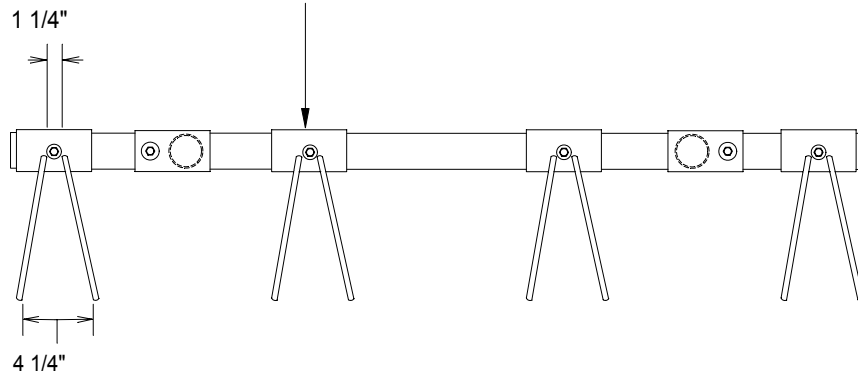


Loops are welded to sleeves and sleeves are bolted to the main 2 3/8" O.D. tube



KAY PARK			
MODEL	3051	WT.	63
DRAWN BY	BDS	DATE	10/12/92
FILE NO.	3051	SCALE	NONE

11/28/05 Rev. 1 Added bolt sleeves, LCB