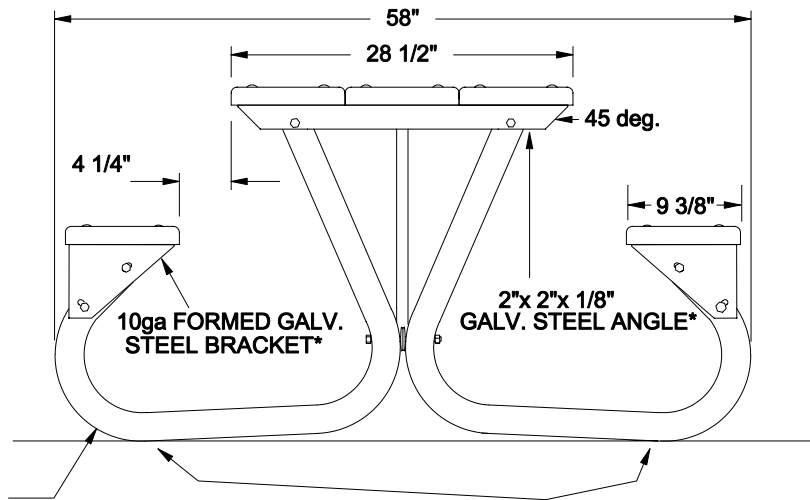
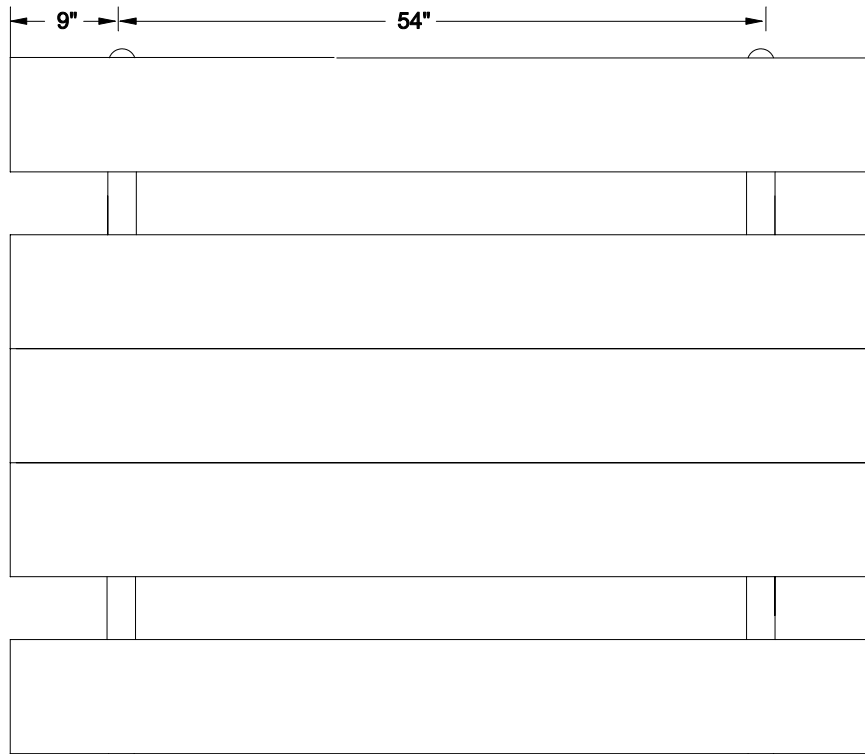


2 3/8" O.D. GALVANIZED HIGH TENSILE TUBE FOR LONGER LIFE.



THE TABLE RESTS ON THE FOUR OUTSIDE CORNERS SO THAT IT WILL NOT ROCK ON UNEVEN GROUND.

* SEAT BRACKET & TOP CLEAT ARE GALVANIZED AFTER FABRICATION TO ELIMINATE RAW EDGES LEFT WHEN USING PRE-GALV. SHEETS



2"x 10" (NOMINAL) 6063-T6 204-R1 CLEAR ANODIZED ALUMINUM PLANKS W/ MATCHING END CAPS

KAY PARK

MODEL	62BGA	WT.	133 lbs.
DRAWN BY	LCB	DATE	9/98
		SCALE	NONE