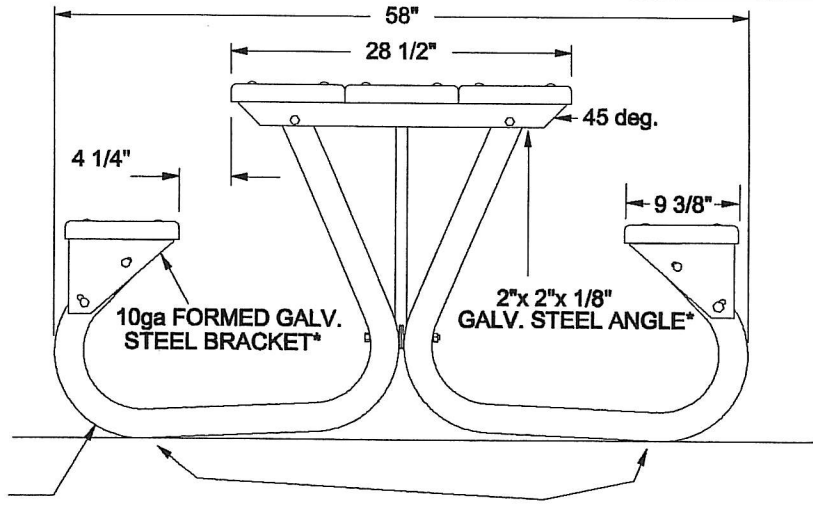


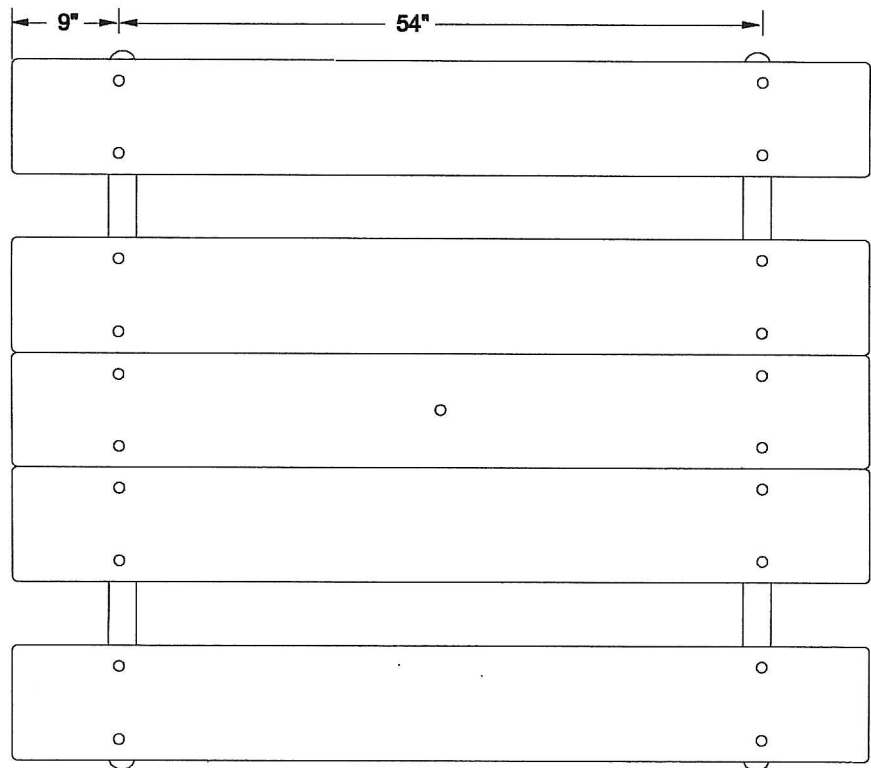
1 5/16" O.D. GALV.
HIGH TENSILE TUBE

2 3/8" O.D. GALVANIZED HIGH
TENSILE TUBE FOR LONGER
LIFE.



THE TABLE RESTS ON THE FOUR OUTSIDE CORNERS
SO THAT IT WILL NOT ROCK ON UNEVEN GROUND.

* SEAT BRACKET & TOP CLEAT ARE GALVANIZED
AFTER FABRICATION TO ELIMINATE RAW EDGES
LEFT WHEN USING PRE-GALV. SHEETS



2"x 10" No. 1 SOUTHERN YELLOW PINE
ACQ TREATED, KDAT WITH EASED EDGES

KAY PARK

MODEL	62BGW	WT.	198 lbs.
DRAWN BY	LCB	DATE	3/9/98
		SCALE	NONE

FILE NAME: 62BGW

REV. 1/29/03, CHANGED TOP HEIGHT