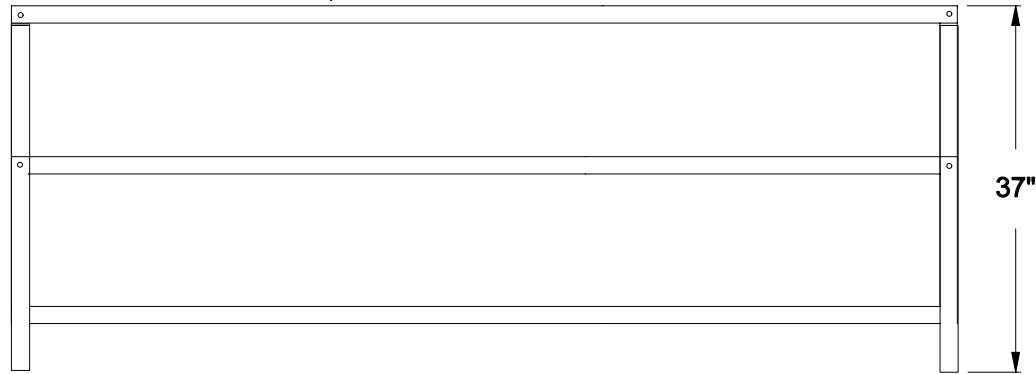
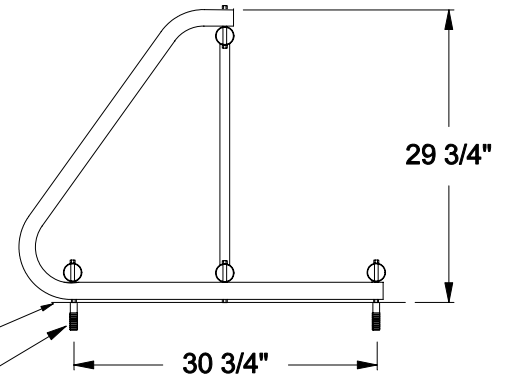


TIRE RAIL (1 5/8" O.D. GALVANIZED TUBE)



37"

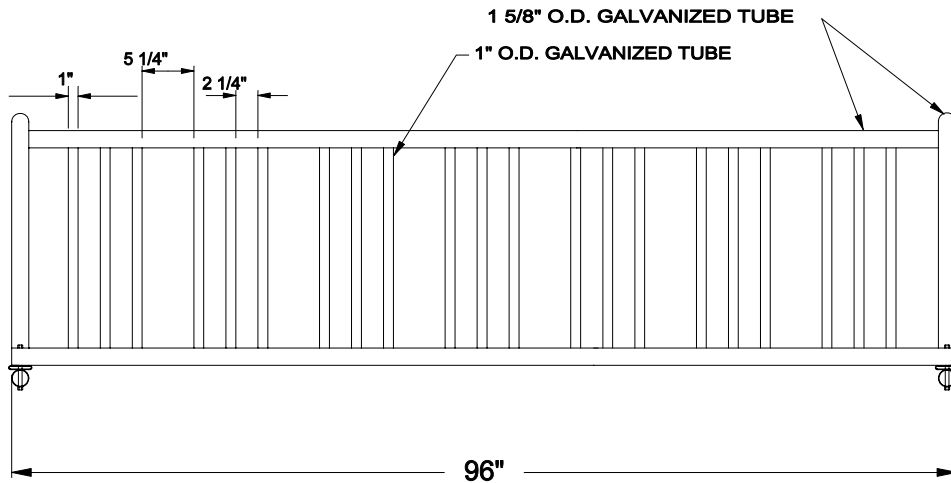


29 3/4"

30 3/4"

EXISTING CONCRETE PAD  
LAG BOLT ANCHOR SHEILD  
AND 3/8"x 6" LAG BOLT

(THE ANCHORS ARE ORDERED SEPARATE  
FROM THE BIKE RACK IF ANCHORING IS DESIRED)



1 5/8" O.D. GALVANIZED TUBE

1" O.D. GALVANIZED TUBE

96"

14 SPACES (7 EACH SIDE)  
ALL WELDS ARE COLD GALVANIZED AND PAINTED SILVER

FILE NO. 7082

# KAY PARK

MODEL	7082	WT.	98 lbs.
DRAWN BY	CKB	DATE	7/06
		SCALE	NONE