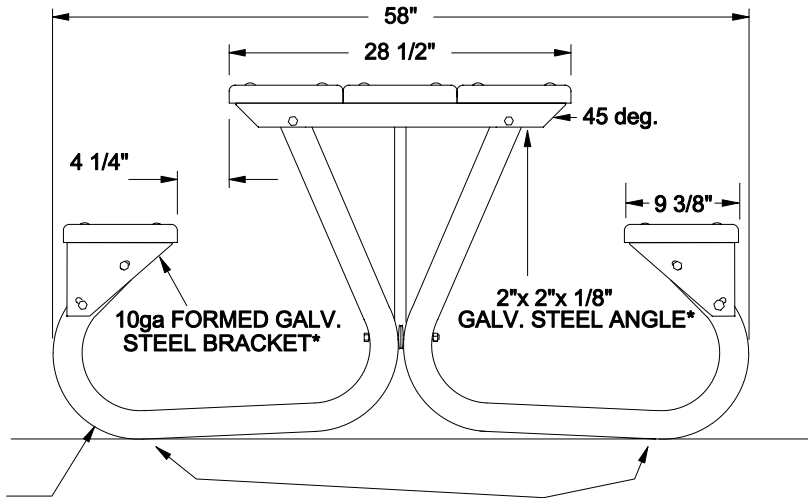
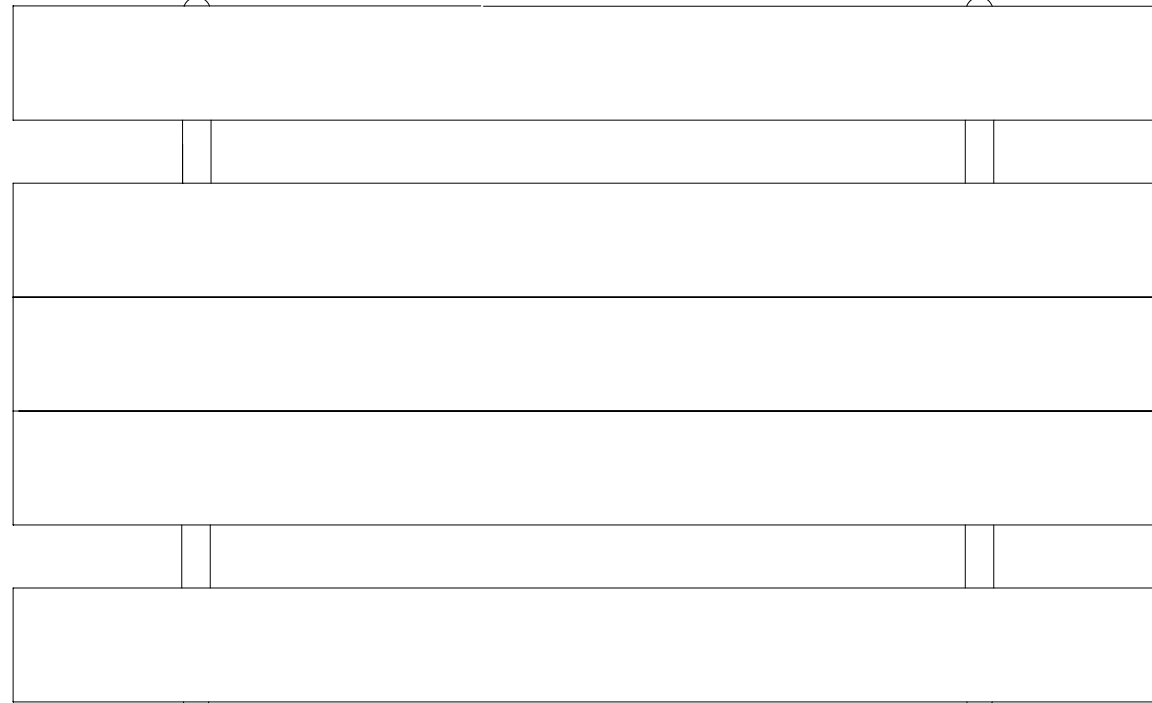
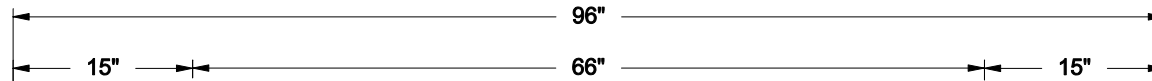


2 3/8" O.D. GALVANIZED HIGH TENSILE TUBE FOR LONGER LIFE.



THE TABLE RESTS ON THE FOUR OUTSIDE CORNERS SO THAT IT WILL NOT ROCK ON UNEVEN GROUND.



* SEAT BRACKET & TOP CLEAT ARE GALVANIZED AFTER FABRICATION TO ELIMINATE RAW EDGES LEFT WHEN USING PRE-GALV. SHEETS

← 2"x 10" (NOMINAL) 6063-T6 204-R1 CLEAR ANODIZED ALUMINUM PLANKS W/ MATCHING END CAPS

FILE NAME: 82BGA

REV. 1/29/03, CHANGED TOP HEIGHT

KAY PARK			
MODEL	82BGA	WT.	151 lbs.
DRAWN BY	LCB	DATE	3/9/98
		SCALE	NONE