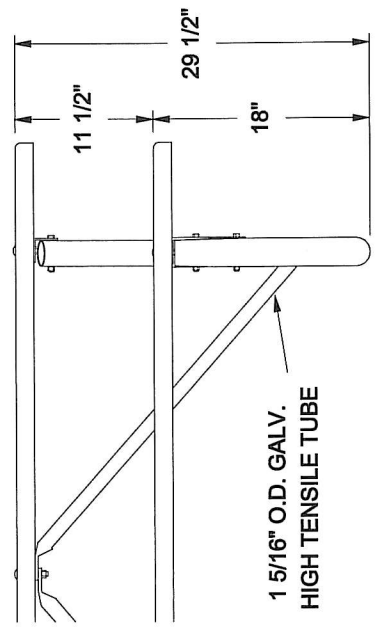


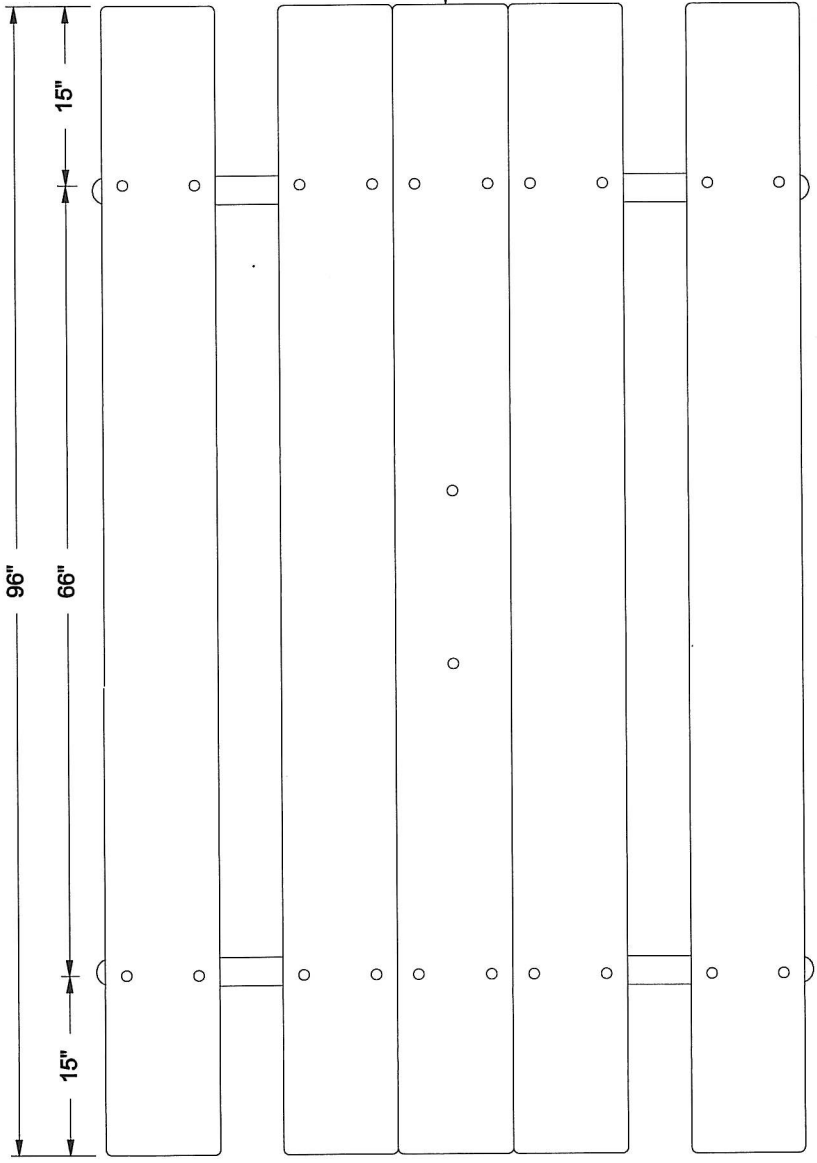
THE TABLE RESTS ON THE FOUR OUTSIDE CORNERS SO THAT IT WILL NOT ROCK ON UNEVEN GROUND.

* SEAT BRACKET & TOP CLEAT ARE GALVANIZED AFTER FABRICATION TO ELIMINATE RAW EDGES LEFT WHEN USING PRE-GALV. SHEETS



2 3/8" O.D. GALVANIZED HIGH TENSILE TUBE FOR LONGER LIFE.

1 5/16" O.D. GALV. HIGH TENSILE TUBE



2"x 10" No. 1 SOUTHERN YELLOW PINE ACQ TREATED, KDAT WITH EASED EDGES

KAY PARK

MODEL	82BGW	WT.	238 lbs.
DRAWN BY	LCB	DATE	3/9/98
		SCALE	NONE

REV. 1/29/03, CHANGED TOP HEIGHT

FILE NAME: 82BGW