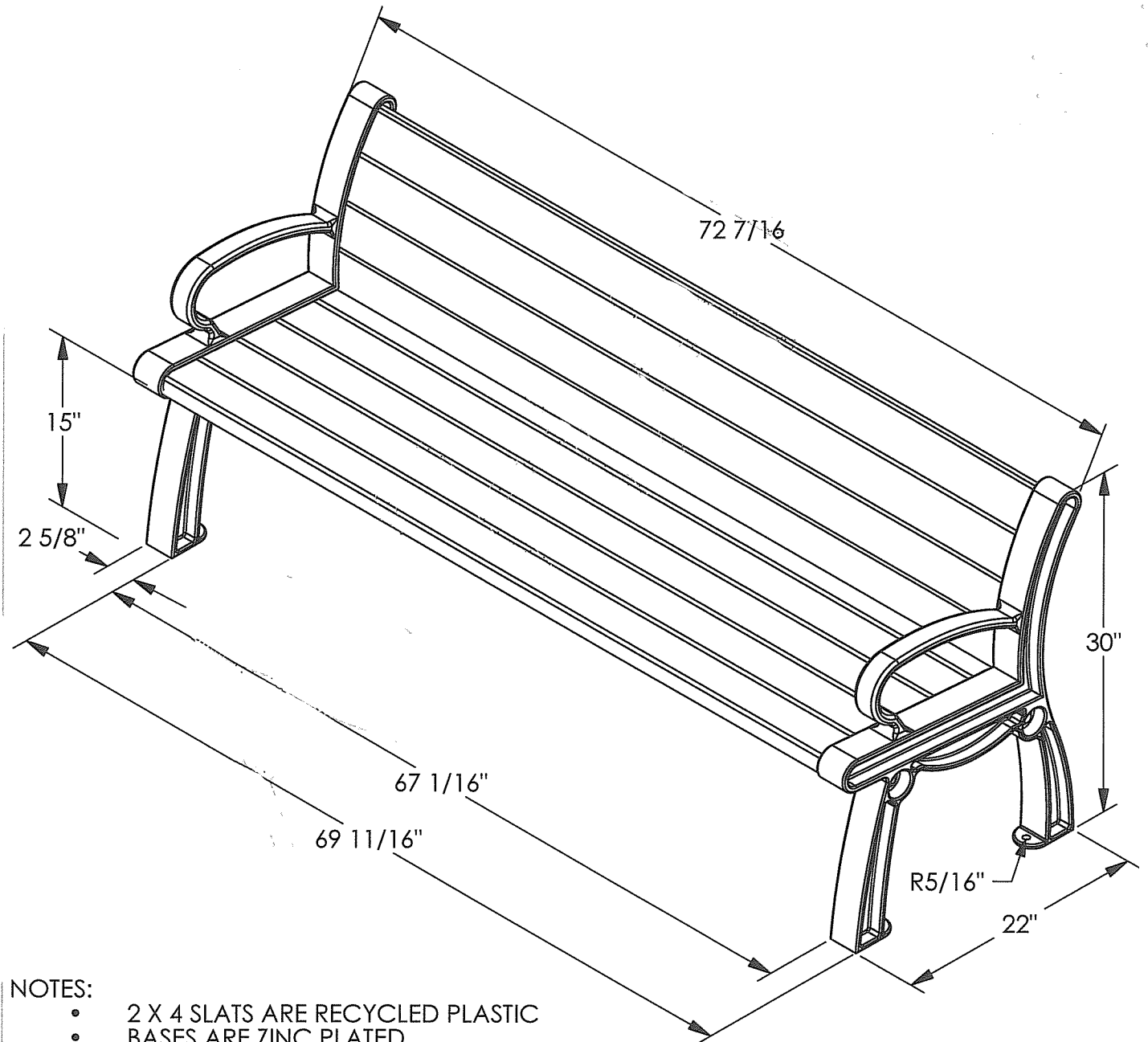


REV.	DESCRIPTION	BY	DATE	CHKD BY
A	RELEASE TO PRODUCTION	JWW	7/14/2006	JRS



NOTES:

- 2 X 4 SLATS ARE RECYCLED PLASTIC
- BASES ARE ZINC PLATED
- ALL HOLES PRE-DRILLED AND
- ALL HARDWARE IS ZINK PLATED
- UNIT WEIGHT APPROX. 140 LBS.

UNLESS OTHERWISE SPECIFIED  
 DIMENSIONS ARE IN INCHES  
 TOLERANCES:  
 DECIMAL FRACTION OVERALL  
 .XX±.03 ±1/16 120± 3/8  
 .XXX±.005 >120± 1

JOB NUMBER STANDARD				
DATE 7/12/06				
DRAWN JWW	CHECKED JRS			
DESCRIPTION HERITAGE 6' BENCH				
ASSEMBLY NUMBER -		SCALE 3:32		
DRAWING NO. PB 6_____HER-SPEC	CAD FILE PB 6_____HER	SHEET SHEET 1 OF 1	REV A	