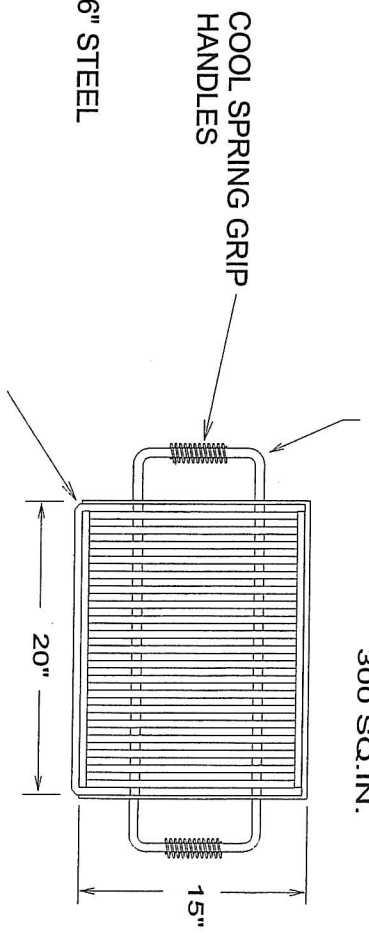
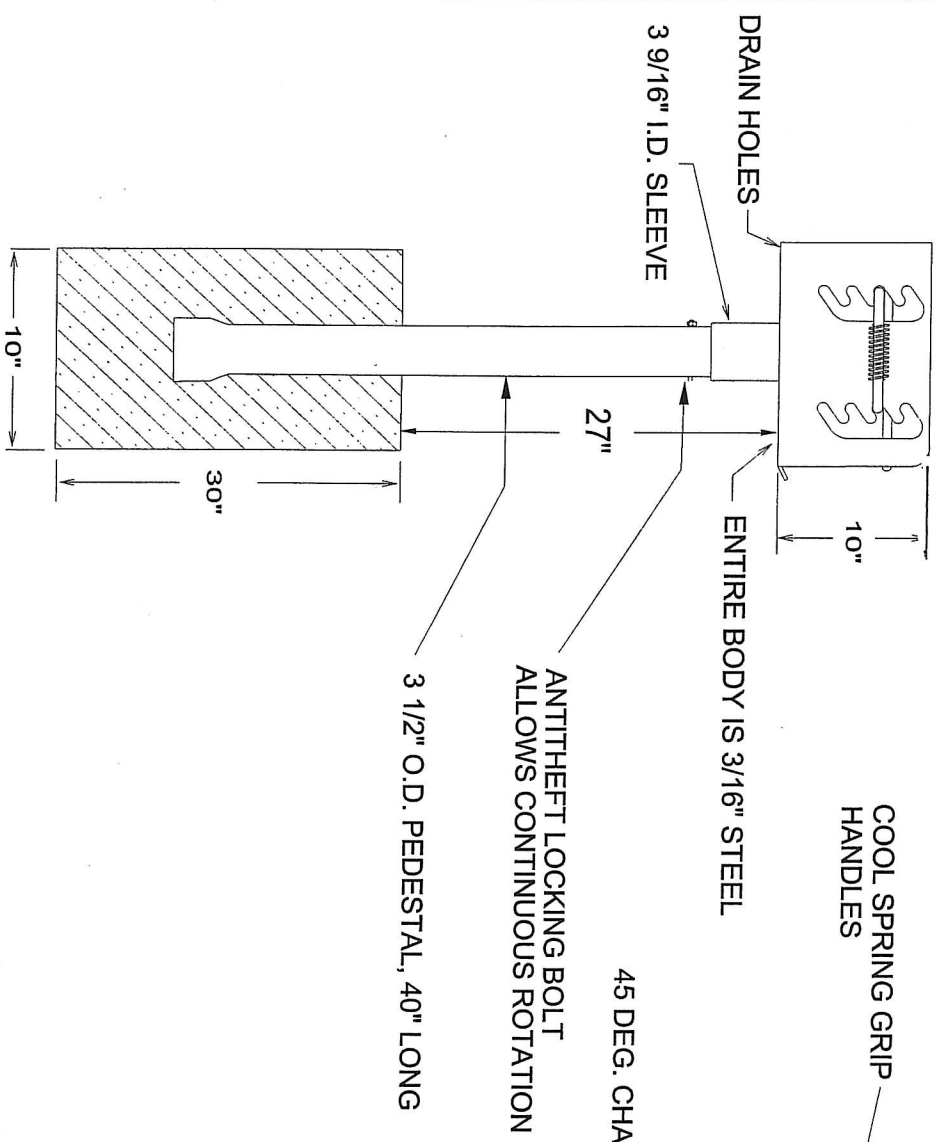


COOKING GRATE HAS 4 LEVELS OF ADJUSTMENT
AND CANNOT BE REMOVED FROM THE GRILL BODY

HANDLES ARE 5/8" ROD

COOKING SURFACE IS
1/2" RODS ON 1" CENTERS
300 SQ. IN.



NOTE: THE SIZE OF THE FOOTING

IS ONLY A SUGGESTION
YOUR LOCAL SOIL CONDITIONS
SHOULD DETERMINE WHAT IS
NECESSARY

FINISH IS HIGH HEAT RESISTANT BLACK ENAMEL

KAY PARK		MODEL	SB1635	WT.	86 lbs.
		DRAWN BY	LCB	DATE	1/5/98