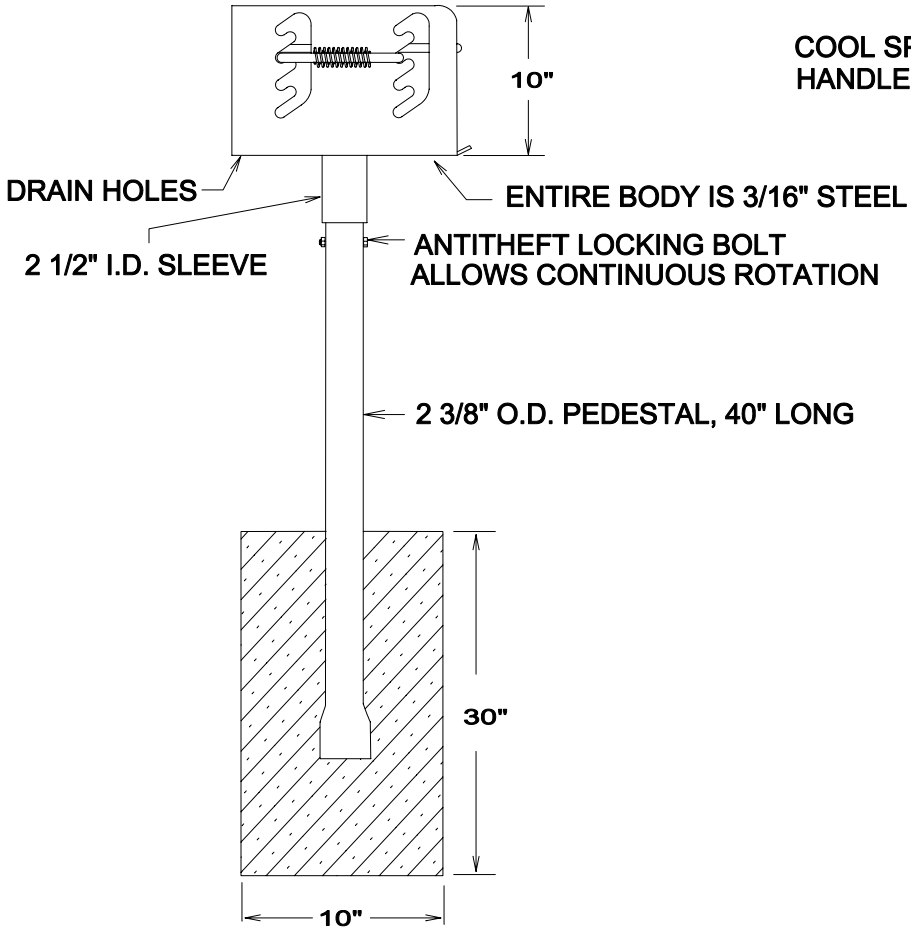
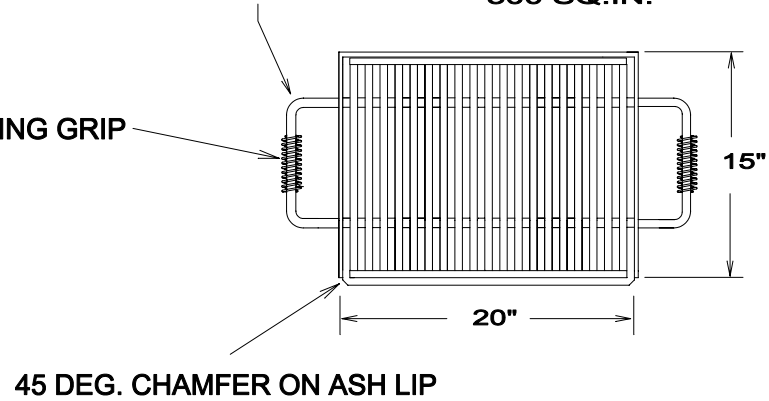


COOKING GRATE HAS 4 LEVELS OF ADJUSTMENT
AND CANNOT BE REMOVED FROM THE GRILL BODY



HANDLES ARE 5/8" ROD
COOKING SURFACE IS
1/2" RODS ON 1" CENTERS
300 SQ.IN.

COOL SPRING GRIP
HANDLES



FINISH IS HIGH HEAT RESISTANT BLACK ENAMEL

NOTE: THE SIZE OF THE FOOTING
IS ONLY A SUGGESTION
YOUR LOCAL SOIL CONDITIONS
SHOULD DETERMINE WHAT IS
NECESSARY

KAY PARK			
MODEL	SB16	WT.	79 lbs.
DRAWN BY	LCB	DATE	1/5/98
		SCALE	NONE