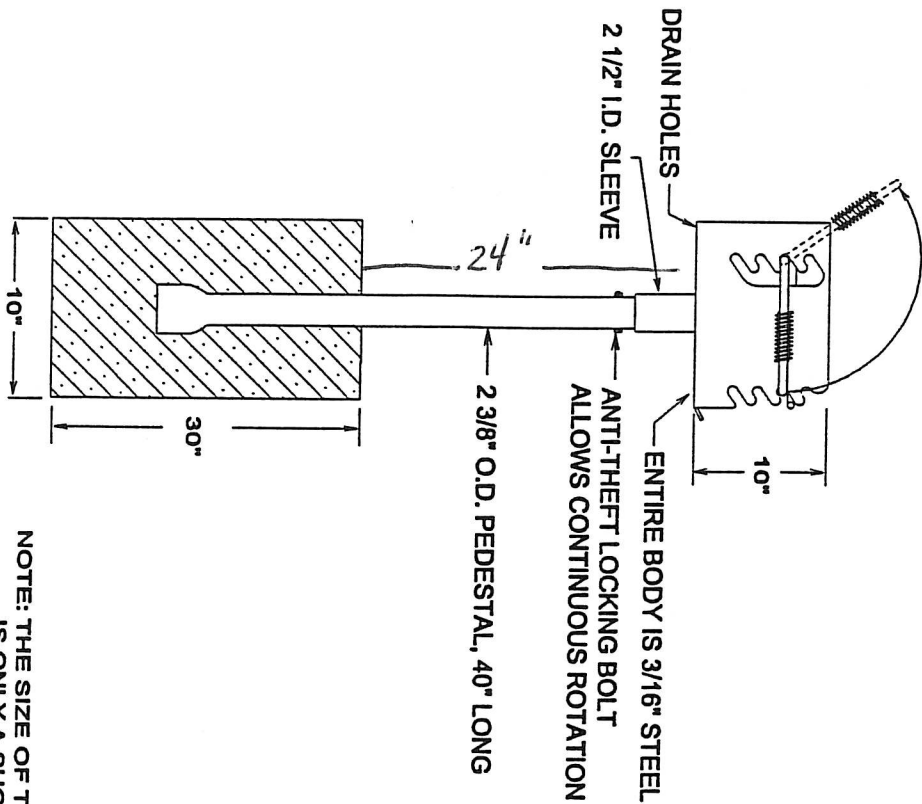
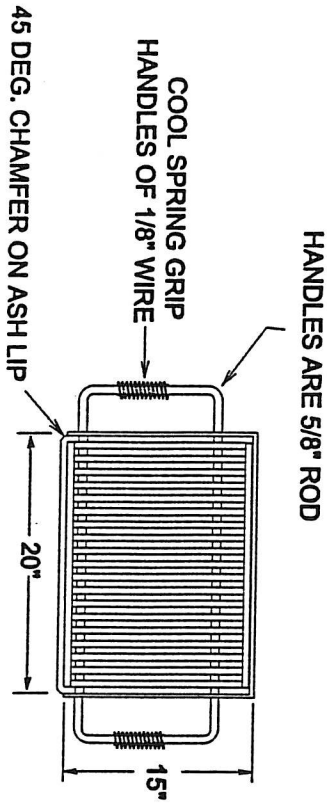


COOKING GRATE HAS 4 LEVELS OF ADJUSTMENT
AND FLIPS BACK FOR EASY FIRE BUILDING
AND CLEANOUT, YET CANNOT BE REMOVED
FROM THE GRILL BODY



NOTE: THE SIZE OF THE FOOTING
IS ONLY A SUGGESTION
YOUR LOCAL SOIL CONDITIONS
SHOULD DETERMINE WHAT IS
NECESSARY



COOKING SURFACE IS
1/2" RODS ON 1" CENTERS
300 SQ. IN.

FINISH:

COOKING GRATE - HEAT RESISTANT BLACK ENAMEL
BODY & PEDESTAL - HOT DIP GALVANIZED

KAY PARK			
MODEL	SF16G	WT.	79 lbs.
DRAWN BY	LCB	DATE	1/9/98
		SCALE	NONE