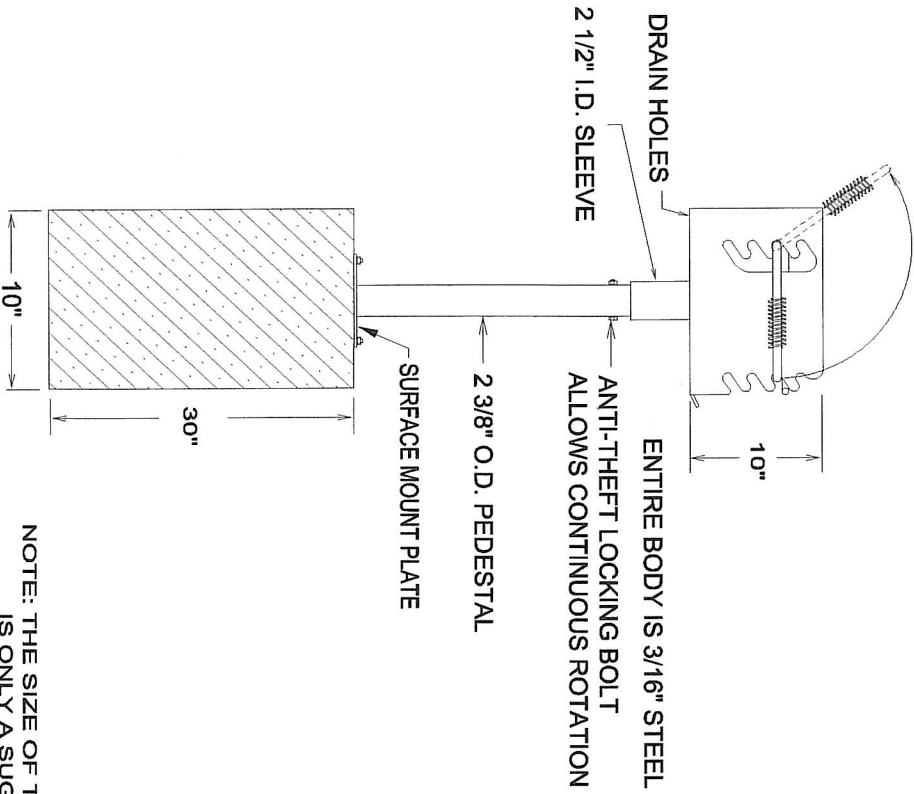
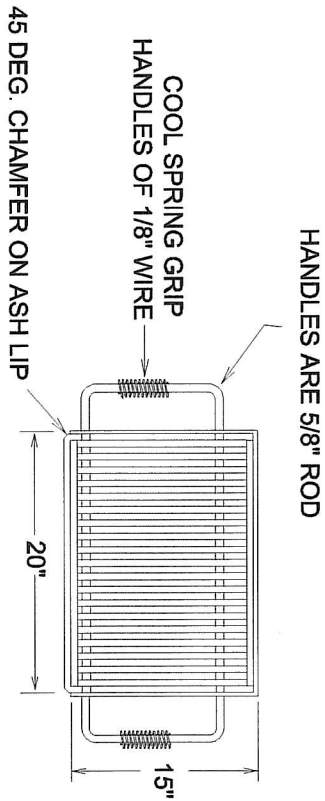


COOKING GRATE HAS 4 LEVELS OF ADJUSTMENT
 AND FLIPS BACK FOR EASY FIRE BUILDING
 AND CLEANOUT, YET CANNOT BE REMOVED
 FROM THE GRILL BODY



NOTE: THE SIZE OF THE FOOTING
 IS ONLY A SUGGESTION
 YOUR LOCAL SOIL CONDITIONS
 SHOULD DETERMINE WHAT IS
 NECESSARY



FINISH IS HIGH HEAT RESISTANT BLACK ENAMEL

KAY PARK		MODEL	SF16-SM	WT.	79 lbs.
DRAWN BY	LCB	DATE	1/9/98	SCALE	NONE