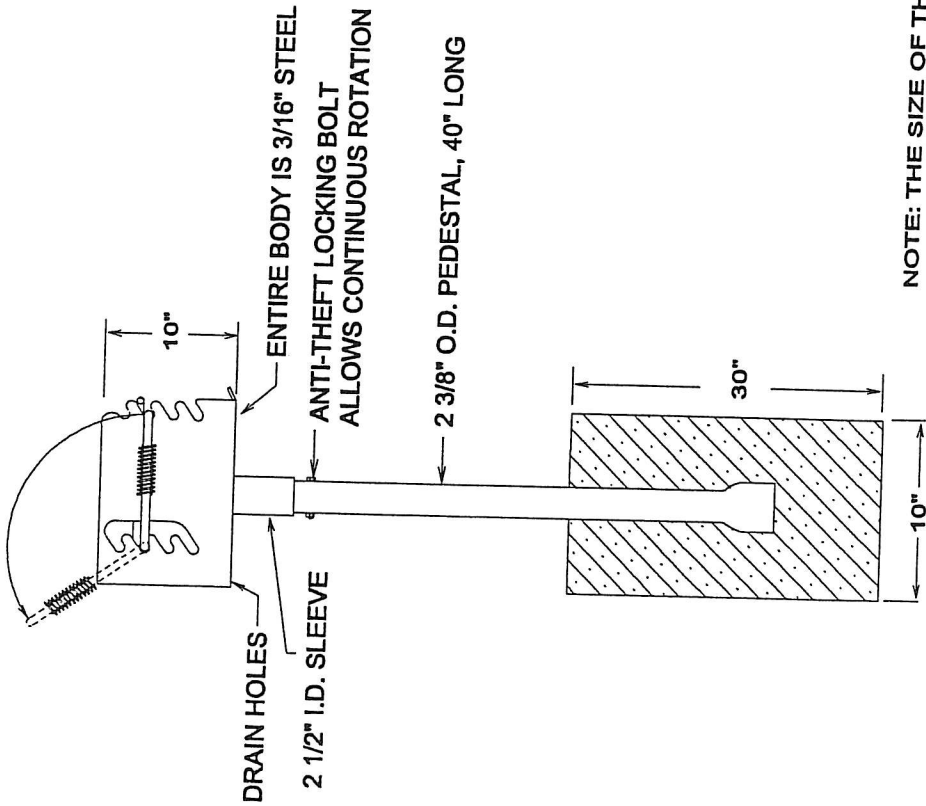
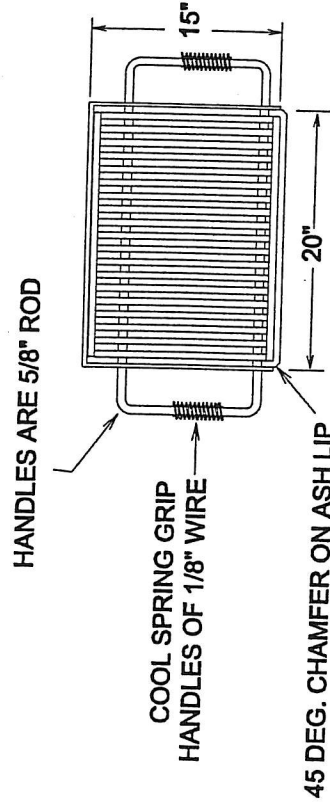


COOKING GRATE HAS 4 LEVELS OF ADJUSTMENT AND FLIPS BACK FOR EASY FIRE BUILDING AND CLEANOUT, YET CANNOT BE REMOVED FROM THE GRILL BODY

COOKING SURFACE IS  
1/2" RODS ON 1" CENTERS  
300 SQ. IN.



NOTE: THE SIZE OF THE FOOTING IS ONLY A SUGGESTION YOUR LOCAL SOIL CONDITIONS SHOULD DETERMINE WHAT IS NECESSARY

**FINISH:**

COOKING GRATE - HEAT RESISTANT BLACK ENAMEL  
BODY & PEDESTAL - SAME

**KAY PARK**

MODEL  
**SF16**

WT. **79 lbs.**

DRAWN BY **LCB** DATE **1/9/98** SCALE **NONE**